



GEIST MONITOR

Current Transducer

Part Number: CT-30/60/120

Add current monitoring to the Geist Climate Monitor with this Current Transducer

- Measure current ranges of 30, 60 or 120 amps
- Sensor frame swings open and clamps around wire
- Outputs 0 to 5 VDC, proportional to current
- Connects to a Geist Climate Monitor via Analog Input or Analog to Digital Converter
- Set alarms and get alerts via email or SNMP

Current Transducers encircle a single power wire and transform the AC amperage into a 0 to 5 VDC signal suitable for input into a Geist Climate Monitor. A selector switch allows you to choose one of the sensor's three current ranges.

The split-frame design of this Current Transducer simplifies installation. The frame swings open and clamps around a current-carrying wire. Note that a single wire is necessary for current measurement. If two wires are placed in the transducer the magnetic fields will cancel each other and the current measurement will be inaccurate.

Connecting to the Geist Climate Monitor

A 2-position screw-terminal block provides connections for signal wires (not included) that go to the Geist Climate Monitor. Make note of the polarity on the label, as connecting the wires backwards may cause damage.

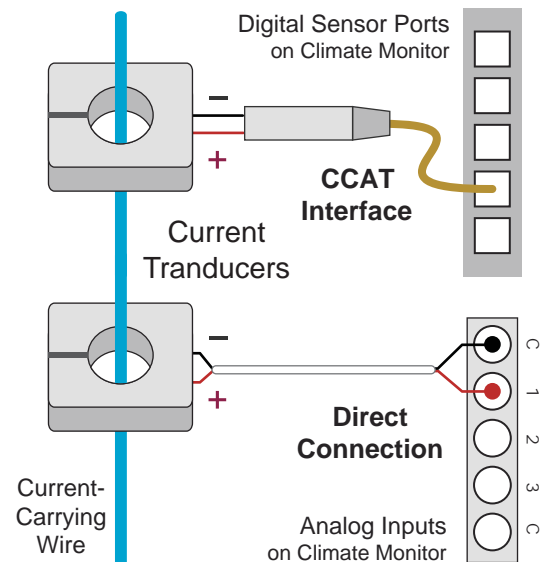
There are two ways to connect this sensor to a Geist Climate Monitor. If an Analog Input is available, then you can connect the signal wires directly to the input terminals. However, if all inputs are being used, or the unit doesn't have them, you can connect the sensor using an Analog to Digital Converter. This interface allows the Current Transducer to connect to a digital sensor port.

Alarms

The Geist Climate Monitor provides the web interface to create and modify alarm thresholds. With the appropriate thresholds, the Geist Climate Monitor will send you an alert if the current draw is getting too high. This helps to prevent overloading a breaker or the wiring in your building. Get alerts via email or SNMP trap if there's a problem.



Clamp this split-frame Current Transducer around a wire to measure AC current.



Sensor Details

Specifications

Amperage range: 30, 60, 120 amps, AC
Output: 0 to 5 VDC, proportional to current
Accuracy: +/- 2% from 10% to 100% full scale
Connections: 2-position screw-terminal block
Size: 2.9" L x 2.58" W x 1.04" H
Warranty: 1 year

Compatibility

Works with all climate/power monitors with analog ports
Compatible with Analog to Digital Converter.

Please note the information contained herein is for informational purposes only. Technical claims listed depend on a series of technical assumptions. Your experience with these products may differ if you operate the products in an environment which is different from the technical assumptions. Geist reserves the right to modify these specifications without prior notice. Geist makes no warranties, express or implied, on the information contained in this document.

10008601

Geist Americas

800.432.3219
geistglobal.com

Geist DCIM
1.877.449.4150
geistglobal.com

Geist Europe

+44 (0) 1823 275100
geistglobal.com

Geist Asia

China
+86.755.86639505
geistglobal.com

Hong Kong
+852 90361927
geistglobal.com