

Smoke Alarm with Interface to WeatherGoose Climate Monitors

Smoke alarms going off in your remote server rooms? Connect this alarm to a WeatherGoose or WeatherDuck and get notification alarms remotely.

This kit connects a standard Smoke Alarm with the WeatherGoose, SuperGoose or a WeatherDuck. The SA-1 is wired and assembled, ready for installation.

The Kidde Smoke Alarm supplied is powered by 120vac city power and contains a 9vdc battery for backup in the case of power failure.

This type of smoke alarm has a third wire that triggers a group of smoke alarms when one senses smoke. This third wire is used to relay the alarm state to the WeatherGoose. The group relay initiating function of the smoke alarm is retained.

Specifications:

Model: Kidde 1275, white plastic case (or equiv.)
 Buttons: test, reset, hush function
 Alarm: buzzer, 85db
 Red Indicator: flashes for normal condition
 Power: 120vac, 80ma.
 Low battery: chirp sound
 Interconnection: third wire to other alarms
 Connection: direct to C123C ports on WxGoos.
 Temp Range: 40F to 100F
 Humidity Range: up to 85% RH
 Sensor: Ionization

Supplied Parts:

SA-1 comes assembled, pre-wired, ready for installation. The shipped components are:

Kidde 1275 Smoke Alarm (or equivalent)
 Power wire: 30 ft, with 5-15 plug
 Junction box with strain reliefs
 Sensor wire: 30 ft. 24 awg, wire pair.
 Interface installed in junction box.

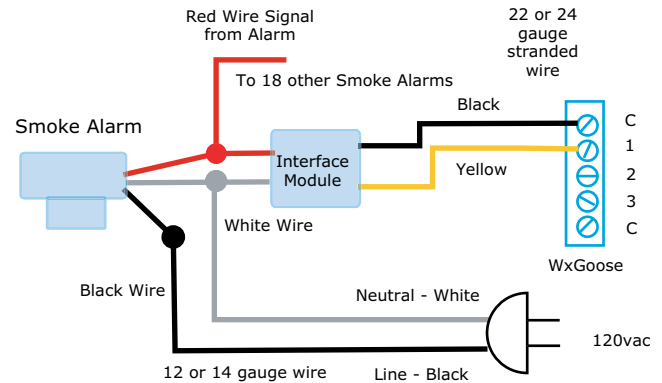
Installation:

The alarm can be easily ceiling or cabinet mounted. When there is no alarm, the I/O port value will be 99. When smoke is sensed, the value is changed to 1. Alarms can be set to create e-mail, paging, and SNMP Trap alerts.

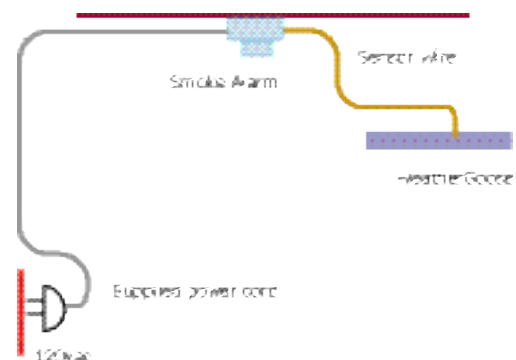
Model Number: SA-1



The Smoke Alarm kit contains all the parts to get smoke detection up and running fast. A 5-15 power plug connector is standard.



The schematic shows how the Smoke Alarm wires to the interface and the WeatherGoose. Up to three can be directly attached to the three C123C ports on the Gooses and the Duck.



The supplied wiring makes installation easy. Plug the cord into the wall plug; attach the output wires into the WeatherGoose. Test the installation by pressing the alarm's Test button.

ITWatchDogs.com 

12885 Research Blvd. Suite 210B
 Austin, Texas 78750
 512-257-1462
 itwatchdogs.com