

# Power Over Ethernet

- Powers all WeatherGooses over Ethernet cable
- Simple connection
- Saves wiring remote power supply
- 300' length
- No software required

## Power Over Ethernet Kit

Power over Ethernet eliminates the need to run 110/220VAC power to WeatherGoose climate monitors and other devices on a wired LAN. Installers only need to run a CAT5 cable that will carry both data and power to each device.

The configuration is made up of two components: the injector takes data in from an Ethernet hub and power from a wall outlet and outputs both data and power through a CAT5 cable. The splitter is placed at the end of the CAT5 cable, returning data and power to their respective cables.

## The Injector

The Level One 1-port Power over Ethernet injector takes a 100-240VAC signal with a maximum current draw of 0.3A. A straight-through CAT5 cable can be routed from a router or hub into the Data In port on the injector. Output is a -48VDC signal carried to the splitter via another CAT5 cable.

## The Splitter

The Level One Power over Ethernet Splitter has the option of either outputting a 5VDC or 12VDC power signal from the -48VDC on the DATA IN port. Set 5V or 12V with the dip switch located on the side of the unit. The 12V setting powers a WeatherGoose, SuperGoose, or MiniGoose.

## Cable Length

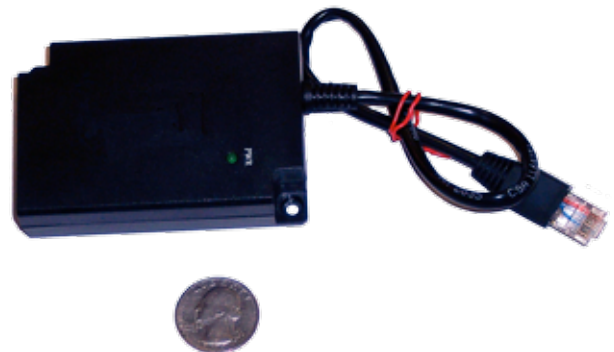
The specified maximum length of cable allowed between the injector and splitter should be 100 meters or approximately 300 feet. The signal will start to degrade past this length.

## Model Numbers

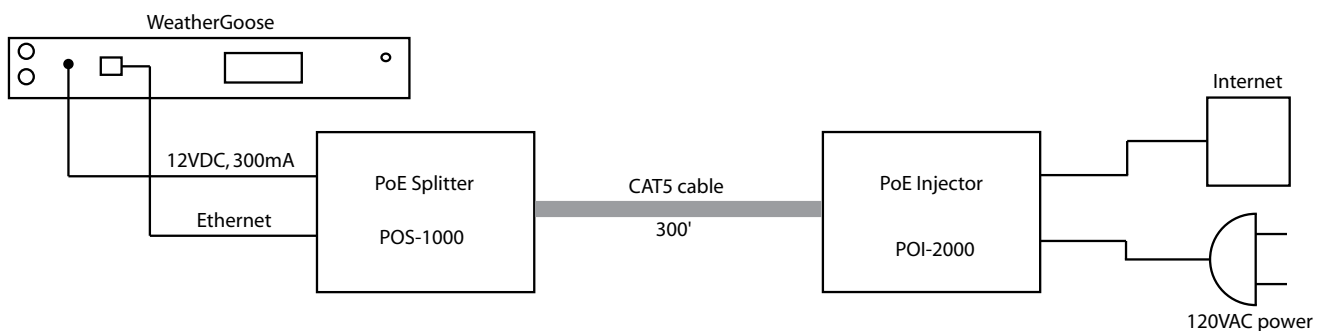
POS-1000	LevelOne PoE Splitter
POI-2000	LevelOne PoE Injector
PIS-3000	LevelOne PoE kit, Splitter and Injector



*PoE Injector. Weight 200g, 117 x 60 x 35mm. Combines 120VAC with data. Output is CAT5 cable up to 300'. Power cord included.*



*PoE Splitter. Weight 150g, 80 x 55 x 26 mm. Separates power and data into ethernet cable and barrel plug. Set the DIP switch on the side to 12V to power your Goose.*



*Configuration for a Power over Ethernet system. Ethernet cable between the injector and splitter should be straight-through and less than 100m.*