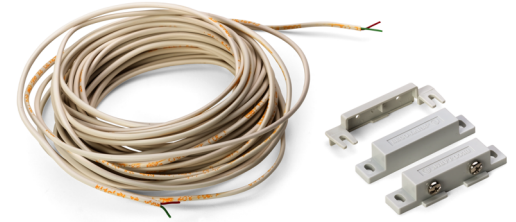


Use these small magnetic sensors to determine door position.

- Used to detect whether a door is open or closed
- Connects to the Goose via Analog Input or CCAT
- Receive alerts via email or SNMP



The door switch has four components: magnet, switch with screw-terminals, screw-terminal cover and connection wires.

This sensor offers a low-cost method to monitor access doors or cabinets that should remain closed. The non-contact magnetic switch mounts to the door of a server rack or equipment room and connects to a Goose climate monitor. Remotely check the door status through the web interface or use alarms to notify you if a door is open.

The sensor consists of two main parts, a magnet and a switch with terminals to connect the signal wires. The magnet mounts to a door or access panel, while the switch mounts to the frame. When the door is closed the two pieces should be within 1/2" of each other. When the door opens this distance increases, eventually toggling the switch. This allows the Goose to know when the door is open.

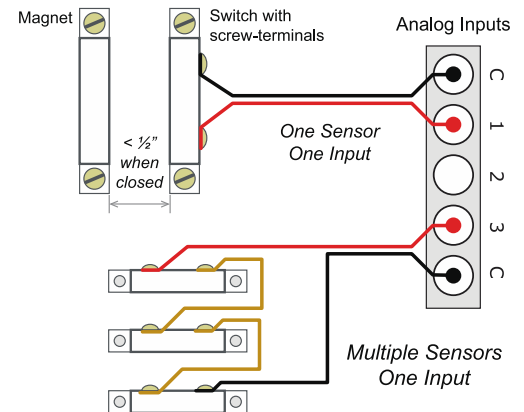
CONNECTING TO THE GOOSE

There are two options for connecting the door switch to the Goose. You can connect the sensor directly to the Analog Input terminals. If the inputs are all in use or the climate monitor doesn't have analog inputs, then you can use a CCAT interface to connect the sensor to a digital sensor port.

Multiple door switches can be wired in series to a single Analog Input or CCAT. This is a good way to free up inputs when you don't need to know the specific door that is open, just that at least one door in the group is.

ALARMS

You can configure alarms using the Goose's web interface. With the appropriate alarm thresholds the Goose will send you an alert via email or SNMP trap if a door is detected open. Some units can also trigger an alarm buzzer or energize an output relay in response to an alarm.



These sensors connect to the Goose through the Analog Input terminals or CCAT analog-to-digital interface. Sensors can be wired in series to reduce the number of inputs required.

Sensor Details

Specifications

- Normally-closed dry-contact sensor
- Holes for screw-mounting
- Insulation may be required if mounting to metal doors
- Cable type: 2-conductor
- Cable length: 15', 50' or 100'
- Warranty: 1 year (extended warranties available)

Compatibility

- Works with all climate/power monitors with analog ports
- Compatible with CCAT Analog-to-Digital Interface

Model Numbers

- MS-1 (15'), MS-50 (50'), MS-100 (100')

