

Serial Bus Interface CCAT

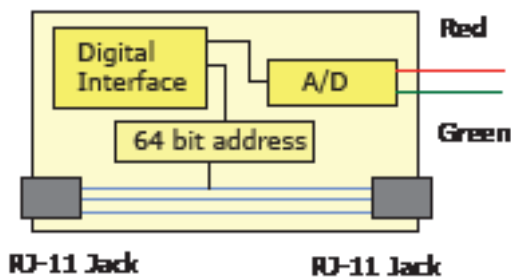
Universal Serial Sensor Interface

Add up to 16 Sensors to WeatherGoose

An analog to digital converter, the CCAT, permits additional devices to be monitored by a WeatherGoose. The CCAT converts the analog signal into a digital value around a single current-carrying wire and transform the amperage into a 0 to 5 VDC signal suitable for input into the I/O ports of a WeatherGoose Climate Monitor.

Each WeatherGoose Climate Monitor (except the MiniGoose) contains a three-port I/O connector, called the "C123C" port. Up to three individual current transformers can be attached to this port. If more are required, a CCAT serial

CCAT Internals



bus interface can be added. Up to 16 CCATs can be attached to the serial bus.

The cu

Self-Powered, Linear Output

The transformer is manufactured by Flex-Core and further specifications can be found at: <http://www.flex-core.com>. No power supply required; the transformer is parasitically powered from the line current.

If a CCAT interface is used, a current range can be specified.

Specifications

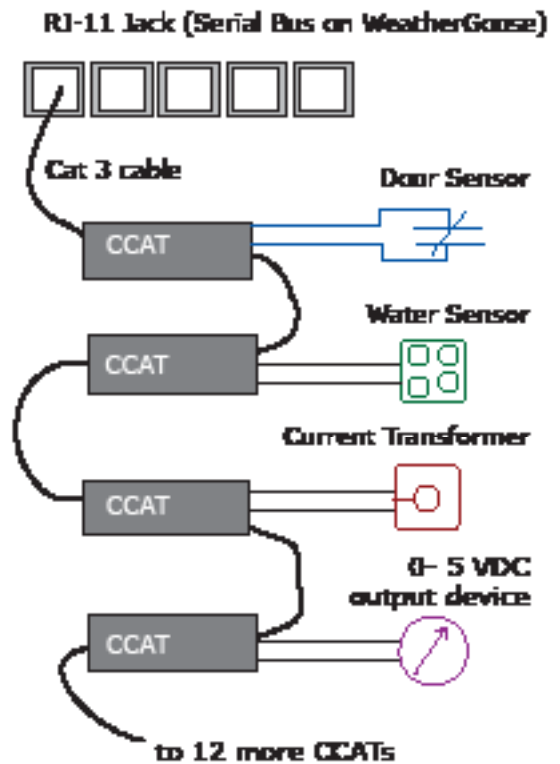
- Amperage range: 30, 60, 120 amp, ac
- Output: 0 - 5 VDC
- Accuracy: +/- 2% from 10% to 100% full scale
- Response time: 2 seconds
- Size: 2.9" L x 2.58" W x 1.04" H
- Wire opening: 1.1" L x .9" W
- Approvals: UL listed E150462
- Model Number: H922

Cable Length

Cable runs of 100' and over are common. Use 22 or



Each end of the CCAT is an RJ-11 receptacle. The twisted pair receives the analog signal input.



The jaws swing open and a wire can be inserted.

ITWatchDogs.com 

12885 Research Blvd. Suite 210B
Austin, Texas 78750

512-257-1462